



---

## Networked four output Irrigation Valve Controller with output over-current shutdown, power-line communications, remote control and monitoring

---

### Features

- Standard 24VAC Power Input
- 50/60Hz line frequency operation
- Sealed NEMA 4, IP65 Enclosure for outdoor and indoor use
- -20 to +70°C operating temperature range
- 4 solid-state 24VAC triac driven outputs
- Integrated AC current sensor
- Output over current shutdown
- Unintentional output disconnect detection
- Lightning and power surge protection
- Reliable field proven two way power-line communications
- CENELEC EN 50056-1 Compliant
- Compatible with LONWORKS® network management tools and Bibaja's Landscape Management software
- Network inactivity shutoff timer to prevent flooding
- Transmit (TX) and receive (RX) network activity indicator LEDs
- Power LED
- Ideal for residential, commercial, and farm applications

### Applications

The versatile IVC24-04 is perfect for residential, managed property, commercial landscape, greenhouse, and farm use.

Outputs of the IVC24-04 are typically used to control industry standard 24-volt valves, relays, and contactors. Irrigation zone valves, master valves, fertigation injectors, pumps, landscape lighting systems, and ventilation fans are examples of devices easily controlled using the IVC24-04.

The integrated AC current sensor may be used to track trends and predict failures for electronic solenoids. Replace failing parts before they become a real problem.



### Modular Solution

The IVC24-04 is part of Bibaja's modular solution for total landscape automation and management. Install only the zones you require now, and easily add more zones and features when you need them.

### Advanced Networking

Advanced power-line networking technology allows for practically limitless expansion of your landscape automation system. Additional sensors such as soil moisture probes and rain sensors may be added to the network to realize significant water savings by intelligently adjusting irrigation cycles.

### Internet Access

Bibaja's Landscape Management software provides remote secure internet access for your system. Monitor your system and make changes through a remote, secure internet connection. Configure the system to notify you by email about critical events.

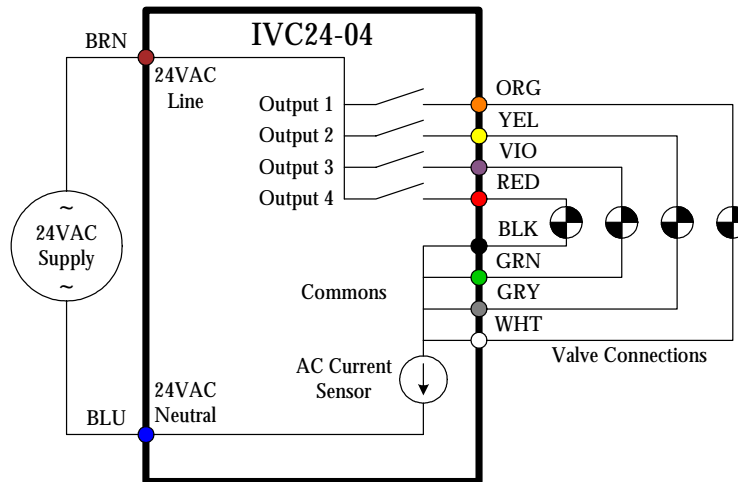
## Specifications

Operating Temperature	-20C to 70C
Input Voltage Range	18 to 28VAC (24VAC Typical)
Maximum Current Consumption <sup>1</sup>	1.2 Amps RMS
Typical Standby Current	70ma RMS
Current Sensor Range	340ma to 1200ma
Current Sensor Accuracy	+/- 5% at 25C
Maximum Output Current (sum of all 4 outputs)	1.0 Amps RMS
Enclosure Rating	IP65, NEMA 4
Maximum Wire Distance	8AWG, 1000 meters
(Note: Assumes 16 IVC24-04s at end of cable and 1 amp of current drawn by activated outputs)	10AWG, 600 meters
	12AWG, 400 meters
	14AWG, 250 meters
Dimensions:	Width: 115mm (4.5 inches)
(Note: Depth measured from bottom of enclosure to tip of cable gland)	Height: 65mm (2.5 inches)
	Depth: 65mm (2.5 inches)
Storage Temperature	-50C to 100C

Note 1: Maximum current consumption is the combined current of the IVC24-04 and devices connected to the four outputs)

## Installation

The following block diagram shows a typical installation of an IVC24-04 connected to 24VAC power and 4 solenoid valves:



After wiring the device into the system, use a magnet to activate the reed switch “service pin” and send the device’s unique ID over the power-line network. Configure the IVC24 from the computer and you are ready to automate your landscape.

## Ordering Information

IVC24-04 US	US Version, LONWORKS protocol w/o CENELEC Access Protocol
IVC24-04 EU	Europe Version, LONWORKS with CENELEC EN50065-1 Protocol

LONWORKS is a registered trademark of Echelon Corporation.